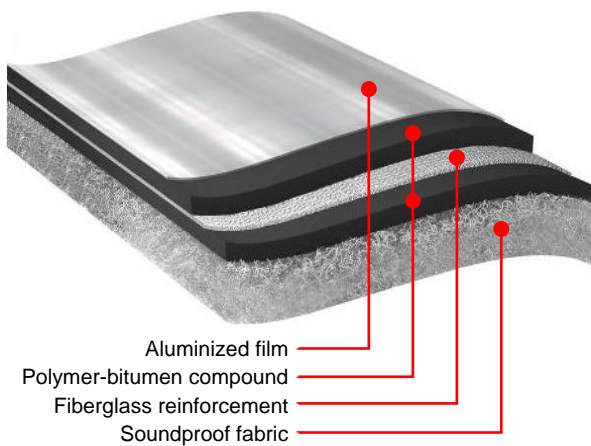




TECHNONICOL SOUNDSTOP SUPER

Description:

Special fiberglass reinforced SBS-modified bitumen membrane with soundproof fabric TECHNOMICOL SOUNDSTOP SUPER prevents the spread of an impact noise, which is transmitted through the floor slabs. The material is used indoors for the construction of soundproofing and waterproofing layer in systems of "floating" flooring, heated flooring, flooring with lags and interior partitions.



Advantages:

- High index of impact noise reduction.
- Also serves as the waterproofing layer due to the increased thickness of the bitumen compound.
- The material is resistant to decay.
- The small total thickness of the material allows retaining the same height of the flooring.
- No need for any additional equipment and skills.
- Safety and cheap application – the membrane is applied without the use of gas and flame.
- Helps to reduce the influence of electromagnetic fields from the sources placed on adjacent floors.

General requirements:

- Rolls of the material should be stored indoors in a dry place in their original packaging and taken to the construction site ready to use.
- Rolls should be stored upright in a 1-row height.
- Falls or other mechanical impacts should be avoided during transportation and storage.
- The application surface must be cleaned of dust, debris, grease, oil and other contaminants and should not have gaps and cracks or other irregularities to prevent sound leakage.

Installation:



Unroll the material so that the soundproof fabric faces the floor slab. Measure and cut the required length from the roll on site.



Start the installation from the room corner. Cut out the overlap strip on the first roll adjacent to the wall. Provide an overlapping onto the vertical surface to the height of the finished flooring.



Install the next roll of the material with longitudinal overlap to the previous roll. Make sure that the soundproof fabrics of the adjacent rolls are tightly fit. Sheet end joints must be fit tightly without overlapping (end-to-end).



Carefully seal all sheet end joints and longitudinal overlaps with NICOBAND self-adhesive sealant tape of 100 mm width to ensure reliable impact noise insulation and waterproofing properties.



NICOBAND self-adhesive sealant tape should also be used for reinforcement of corners and other joints.

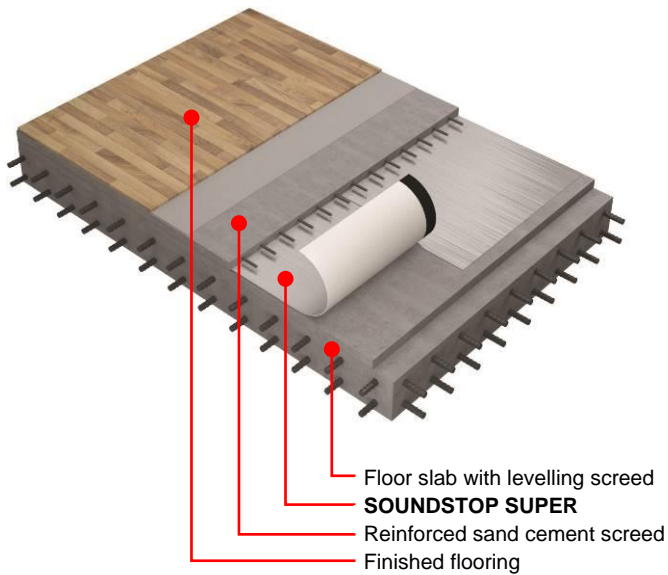


Install the reinforced sand cement screed and the finished flooring.

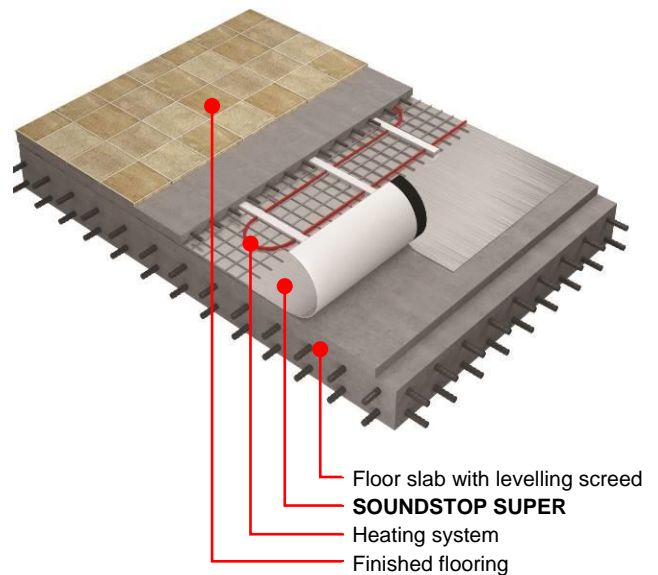


System solutions:

■ **“FLOATING” FLOORING**



■ **HEATED FLOORING**



Directions for installation:

- In order to reduce the impact noise, the floor slab must be completely isolated from the flooring structure and interior partitions.
- The application surface must be cleaned and flattened properly. Only carefully prepared and flattened surface guarantees a proper impact noise insulation.
- Always install TECHNOMICOL SOUNDSTOP SUPER so that the soundproof fabric faces the floor slab.
- Provide an overlapping of the membrane onto the vertical surface to the height of the finished flooring.
- All sheet end joints and longitudinal overlaps must be fit tightly to avoid any free space (gaps between soundproof fabrics of different rolls) that can lead to sound leakage.
- All sheet end joints and longitudinal overlaps must be carefully sealed with NICOBAND self-adhesive sealant tape of 100 mm width to ensure reliable impact noise insulation and waterproofing properties. Same tape should be used for reinforcement of corners and other joints.

Declared performance:

Essential characteristics	Performance
Protection of the top side	aluminized film
Protection of the bottom side	non-woven soundproof fabric
Length x width, m	10 x 1
Mass per unit area, kg/m ²	2.2±0.25
Maximum impact noise reduction index ΔLn, dB	27
Watertightness at 0.2 MPa for 2 hours	Pass
Tensile properties: maximum tensile force, N	≥ 300
Dynamic modulus of elasticity under load of 2 kPa, MPa	≤ 0.15

Shelf life if all storage requirements are met: 12 months from the date of production.